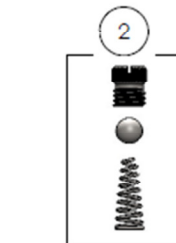
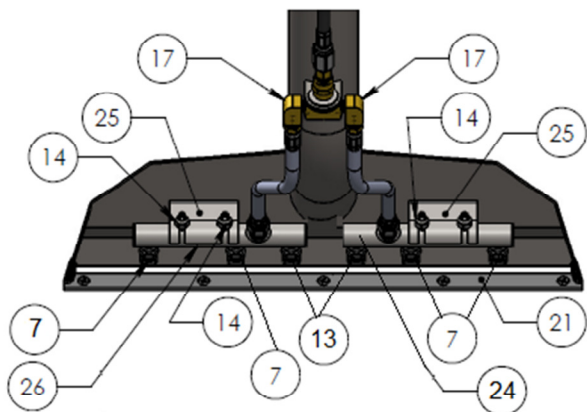


ITEM	PART NUMBER	DESCRIPTION	QTY.
1	WELDMENT	WAND TUBE AND HEAD - NO HARDWARE	1
2	AW797	CHECK VALVE ASSEMBLY	6
3	AH02	1/4" MPT x 3/16" HOSE PARKER COMP FITTING	1
4	NA40A	3/16" HP SOL HOSE 38.5" 1/4" FT X 1/4" MPT	1
5	PAF06	1/8" FPT x 3/16" HOSE PARKER COMP FITTING	3
6	BR124	1/8" MPT x 1/8" SAE BRASS FITTING	3
7	B320	VEEJET H1/8VV9501SS	4
8	BR110	1/8" X 1/8" FEMALE COUPLER	1
9	71017	7/8"OD x 13/32"ID SS FLAT WASHER - RW66	2
10	10609-04122	NYLON WASHER 1.03OD x .55ID x .062" RW06	1
11	AH01	1/8" MPT x 3/16" HOSE PARKER COMP FITTING	2
12	NA40A	3/16" HP SOL HOSE 7.5" 1/8" MPT X 1/4FT	2
13	B340	VEEJET H1/8VV11001SS	2
14	NM4081	#10-32 SS HEX NYLOC	8
15	AW792	VALVE SOFT TOUCH SS 1500PSI	1
16	NM3044	1/8" MPT x 1/8" FPT x 1/8" FPT BRASS TEE	1
17	BR280	1/8" 90 DEGREE BRASS STREET ELBOW	2
18	AW53	2" x 6" BLACK VINYL GRIP	1
19	AW68	2" HANDLE ASSEMBLY	1
20	010-15FG	15" TEFLON FRONT GLIDE	1
21	010-15RG	15" TEFLON REAR GLIDE	1
22	72640	#8-32 x 1/4" FLAT HEAD MACHINE SCREW	10
23	AH102B	QUICK CONNECT 1/4" MALE	1
24		3-JET MANIFOLD RIGHT	1
25	810-50056	BOLT-ON MANIFOLD BRACKET	2
26		3-JET MANIFOLD LEFT	1
27	--	SIDE CLIP	2
28	NA0819	VELCRO STRAP WITH BUCKLE	2



CHECK VALVE - AW797
ONE BEHIND EACH JET

